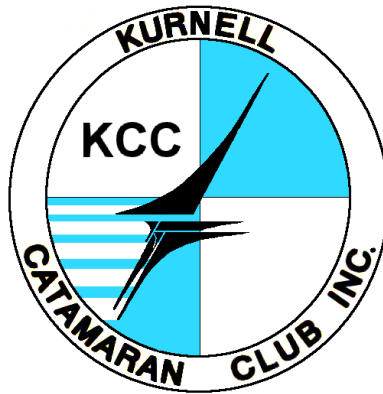


Kurnell Catamaran Club
Incorporated



Sailing Instructions

“Off the Beach” Catamarans

2021-2022

Version: 7th August, 2021

Table of Contents

1	RULES	3
2	NOTICES TO COMPETITORS.....	3
3	CHANGES TO SAILING INSTRUCTIONS	3
4	SIGNALS MADE ASHORE.....	4
5	SCHEDULE OF RACES	4
6	DIVISION SIGNALS.....	4
7	RACING AREA.....	5
8	COURSES.....	5
9	MARKS.....	5
10	OBSTRUCTIONS.....	5
11	THE START	5
12	SHORTENING COURSE.....	6
13	THE FINISH	7
14	PENALTY SYSTEM	7
15	TIME LIMIT.....	7
16	PROTESTS	8
17	SCORING.....	8
18	SAFETY REGULATIONS.....	10
19	REPLACEMENT OF HELM, CREW OR EQUIPMENT	10
20	EQUIPMENT, CLASS RULES AND MEASUREMENT CHECKS.....	11
21	OFFICIAL BOATS AND RACE COMMITTEE VESSEL.....	11
22	SUPPORT PERSONNEL	11
23	RADIO COMMUNICATION	12
24	PRIZES.....	12
25	DISCLAIMER OF LIABILITY.....	12
26	INSURANCE.....	12
27	ATTACHMENT A (SERIES RULES).....	13
28	ATTACHMENT B (COURSES – DIAGRAMS NOT TO SCALE)	17

KCC Sailing Instructions

Kurnell Catamaran Club Incorporated

Prince Charles Parade, Kurnell. Sydney Australia.

(PO Box 255, Caringbah. NSW Australia 1495)

E-mail: racesecretary@kcc.asn.au Web: www.kcc.asn.au

These instructions apply to the Kurnell Catamaran Club Incorporated (KCC) "Off the Beach" Catamaran Racing Season 2021-2022 and supersede all previous versions. Diagrams are not to scale.

1 RULES

- 1.1 All races, series and regattas are governed by the rules as defined in the Racing Rules of Sailing (RRS), the regulations of Australian Sailing and the appropriate class rules and restrictions, all as modified by these Sailing Instructions (SI) and their appendices and attachments.
- 1.2 The Race Committee consists of the Race Secretary, Assistant Race Secretary, Race Officer/Boat Captain and President (or nominee from the Executive Committee of KCC).
- 1.3 The Race Officials (in order of seniority) on a sailing day consist of the Race Secretary, Assistant Race Secretary, Race Officer/Boat Captain, President, Officer of the Day and Race Support Vessel Captain(s).

2 NOTICES TO COMPETITORS

- 2.1 Notices to Competitors are posted on the official notice board(s) located upstairs in the Clubhouse. Notices may also be posted or written temporarily on the blackboards adjacent to the main Clubhouse entrance.
- 2.2 Notices of Race, Sailing Instructions, Race Programs, Results, Duty Rosters and other informational messages may, in addition to being placed on the notice boards above, be published on the Kurnell Catamaran Club website - www.kcc.asn.au - in draft form.

3 CHANGES to SAILING INSTRUCTIONS

- 3.1 Any change to the Sailing Instructions for a particular series or race(s) must be posted no later than the completion of the scheduled pre-race briefing or 45 minutes before the scheduled Division 1 start, whichever is the latter. However, changes to the schedule of races for the John Goodier and Club Champ/Olympic Series requires a minimum of 1 weeks' notice.
- 3.2 Changes shall be published as per SI 2.

4 SIGNALS MADE ASHORE

- 4.1 Signals made ashore are displayed from the flagpole on the Clubhouse, or the flagpole adjacent to the Clubhouse.
- 4.2 When Race Signal AP (postponement) is displayed ashore, '1 minute' is replaced with 'not less than 30 minutes' in Race Signal AP.
- 4.3 Race Signal 'L' with one sound signal denotes *"A notice to competitors is posted on the club notice board or the blackboard adjacent to the Clubhouse entrance"*. Refer SI 2.
- 4.4 When the floodlights on the Clubhouse are turned on, it signifies *"race abandoned"* and all boats must return to the beach. The floodlight signals are discretionary by Race Officials and are in addition to race abandonment signals.

5 SCHEDULE of RACES

- 5.1 The schedule of events is listed in the program and displayed as per SI 2.
- 5.2 The Race Committee may elect to re-sail races that, for whatever reason, are unable to be completed on the scheduled date. The Race Committee's decision is final and not subject to appeal.

***This provision applies only to the:
Club Championship/Olympic Series and the John Goodier Memorial Challenge.
A minimum of 1 weeks' notice must be given as per SI 3.1.***

- 5.3 When racing is scheduled on a day not within the gazetted NSW "Daylight Savings" dates, a race is abandoned if the Warning Signal for Div 1 is not flown by 2:45pm. This requirement may be varied by unanimous agreement of the Race Officer/Boat Captain and Officer of the Day, but also including those other Race Committee members (Race Sec; Ass Race Sec; President) not sailing, and present on the day.

6 DIVISION SIGNALS

- 6.1 Division 1 Race Signal shall be numeral pennant one (1)
- 6.2 Division 2 Race Signal shall be numeral pennant two (2)
- 6.3 Division 3 Race Signal shall be numeral pennant three (3)
- 6.4 A Class shall be allocated a Starting Division by the Race Committee, generally as defined below. However, an individual boat or entire class may start in a different division, as determined by or with the permission of the Race Committee, where to do so would contribute to race management and/or safety objectives.

Division 1: Boats with an Australian Sailing (AS) yardstick greater than 82.

Division 2: Boats with an AS yardstick less than 82.5 (unless complying with Division 3 criteria).

Division 3: Boats with both a spinnaker/gennaker and AS Yardstick of less than 72, + A Class and all full foiling classes.

7 RACING AREA

Racing is on Botany Bay, NSW.

8 COURSES

Courses sailed are shown in Attachment B, including the approximate angles between legs, the order in which marks are rounded and the rounding direction of each mark.

9 MARKS

Marks, as defined in the Course Diagrams, are large yellow and/or red inflatable buoys marked with the letters KCC. Additional marks (starting/finishing etc) or modifications to the above may be indicated in the course attachments or at the Race Briefing.

10 OBSTRUCTIONS

Botany Bay Port Authorities prohibit vessels from approaching within 100 metres of the Refinery jetty, within 100 metres of the Port Botany Terminal or within 80 metres of the airport runways. Authorities also prohibit vessels from proceeding inside the berthing buoys perimeter of a berthed or berthing/departing tanker. Authorities may impose fines for infringements.

These areas are obstructions as defined under the Racing Rules of Sailing.

11 THE START

11.1 To constitute a race there must be at least 4 boats signed on (excluding Duty) that are, at the absolute discretion of the Senior Race Official (refer SI 1.3), in consultation with Race Committee members in attendance, willing and capable of proceeding to the starting area for the first scheduled race of the day. In addition, a race shall be abandoned, at the absolute discretion of the Race Officer/Boat Captain, should fewer than 4 boats present in the starting area.

The decision of Race Officers to abandon a race under this rule is not subject to appeal.

11.2 Starting Procedure - RRS 26 applies.

Signal	Flag and Sound	Minutes before Starting Signal
Warning	Division Flag raised; 1 sound	5
Preparatory	Code "P"; "I"; "U" or "Black" Flag raised; 1 sound	4
One Minute	Preparatory Flag lowered; 1 sound	1
Starting	Division Flag lowered; 1 sound	0

11.2.1 The starting line is between the KCC burgee displayed on the Race Committee Vessel at the starboard end and the Mark as shown in the relevant section of Attachment B at the port end.

11.2.2 A distance mark may be laid attached to the Race Committee Vessel. This mark and tackle are regarded as an integral part of the Race Committee Vessel. Any boat that touches this mark or tackle, after its Warning Signal, shall execute a penalty 360 degree turn at the first reasonable and/or safe opportunity to do so.

11.2.3 Race Officials may elect to start multiple divisions at the same time. A multiple division start shall have all relevant division flags raised/lowered together, unless advised otherwise at the briefing. This may be advised to competitors at the pre-race briefing or on the water. Race entrants are advised to carefully observe and note the raising of the Warning Signal(s).

11.2.4 A boat starting later than ten (10) minutes after her starting signal is scored Did Not Start (DNS). If the start boat is not on station, a boat may start by performing a 360 degree turn to port around the port end start mark as shown in the relevant section of Attachment B.

11.2.5 When more than one race is held in the same session, the warning signal for each succeeding race is made as soon as practicable. To alert boats that another race or sequence of races shall begin shortly, the postponement signal (AP) may be (but is not mandated) displayed for at least one minute before a warning signal is displayed.

12 SHORTENING COURSE

12.1 Race Officials may shorten the course by displaying Race Signal "S" at any rounding mark. The Race Committee Vessel shall display Race Signal "S", either on the Race Committee Vessel, on station in the immediate vicinity of the mark, or attached to the mark.

Boats must leave the mark on the correct hand and proceed directly to the Finish (SI 13). Boats are reminded of RRS 28.1, "Sailing the Course". Depending on the relative locations of the last rounding mark and the

Finish, a complete rounding of the mark may be required to satisfy RRS 28.1. This changes RRS 32.

13 THE FINISH

13.1 Courses A & B

The finish line is between the outer of two buoys anchored in navigable water in front of the Clubhouse and the Race Officer's desk located at the NW corner of the clubhouse. Boats must finish between the inner and outer marks as per the RRS definition. To assist Sailors and avoid confusion there may be (but not obliged to be) a flag on or attached to the outer mark. Should a flag be so attached, it and all tackle forms part of the mark. (Red - keep the outer buoy to port; Green - keep the outer buoy to starboard.)

13.2 Course C

The starting line is between the KCC burgee displayed on the Race Committee Vessel at the Port end and a mark displaying a blue flag, as shown in SI 28.3 of Attachment B, at the Starboard end.

13.3 Boats must finish from the direction of the last mark.

13.4 A Course Board may be displayed from the RCV, no later than the Warning Signal for the first Divisional Start, indicating the course to be sailed – A, B or C. The failure of RO's to display the Course Board, for whatever reason, is NOT grounds for protest or redress.

14 PENALTY SYSTEM

14.1 RRS 44.1 and RRS 44.2 is modified to read that only one-turn, including one tack and one gybe is required.

15 TIME LIMIT

15.1 Time limit of races (taken from start of the first division) is as follows:

Race/Regatta	First boat	Extended time limit if first boat finishes within time limit.
Marathon, Cock of the Bay, Australia Day	180 minutes	230 minutes
All other Races.	60 minutes	80 minutes

15.2 Should no boat round the first mark within 30 mins (from start of Div 1), the race is abandoned, but may be re-sailed.

- 15.3 Should the first boat finish within the time limit, all other boats must finish within the extended time limit or they shall be scored as DID NOT FINISH (DNF).

16 PROTESTS

- 16.1 No boat need display a protest flag. This changes RRS 61.1(a).
- 16.2 Protests forms are available at the KCC Clubhouse.
- 16.3 The protest time limit for all scheduled races is 30 minutes after the last boat has finished the last race of the day.

17 SCORING

- 17.1 The Low Point scoring system of Appendix A of the Racing Rules of Sailing shall apply to all KCC Series, Championships, Regattas and Special Events.
- 17.2 The following Scoring Codes apply to all KCC Series and Championships, excluding Regattas and Special Events: This modifies A4.2 & A9 of Appendix A – Scoring of the RRS.

DNC:	Did not Compete	Number of Entrants in Series + 1
DNF:	Did not Finish	Number of Finishers + 1
DNR:	Did not Race (signed on ready to race)	Number of Entrants in Race + 1
DNS:	Did not Start (but sailed to start area)	Number of Starters + 1
OCS:	On Course Side at start/broke rule 30.1	Number of Starters + 1
DSQ:	Disqualified	Number of Entrants in Series + 1
RAF:	Retired after Finishing	Number of Starters + 1
BFD:	Black Flag Disqualification	As per DSQ but is not Discardable
DGM:	Disqualified Gross Misconduct	Points set by Protest Committee but is not Discardable
RDG:	Redress Given	Points set by Protest Committee
RDGa:	Redress Given	Average - all races
RDGb:	Redress Given	Average - all previous races
RDGc:	Redress Given	Average - all races except DNC
DUT:	Rostered Race Duty	Average - all races except Discards

- 17.3 **DNR** shall be awarded when a registered boat and crew are “Signed On”, ready to race with race fees paid when the boat’s skipper subsequently considers the wind/weather conditions unsuitable for the age, experience, physical fitness or skill level of one or more of the crew, and/or has suffered equipment failure and/or crew injury during an earlier race(s) in the session.

However, the Race Secretary or the Senior Race Officer present must assess and consider the bona fides of the boat crew in deciding not to race. The Race Secretary may review the Senior Race Officer's decision in this matter, whose decision is then final and not subject to any further hearing.

[In general, a decision “not to race” owing to prevailing wind/weather conditions (notwithstanding that conditions are within KCC’s Operational Plan) is valid grounds for awarding a DNR for that race. However, the Senior race Officer on the day must be satisfied that the boat/crew was ready and able to race otherwise].

DNR is automatically scored for races in a race session, where the preceding race was scored DNR. To ensure the correct finishing codes are applied, the skipper or his/her representative should request the Senior Race Officer on the day to record “DNR” in the “Place or Scoring Code” column under the boat’s sail number on the finishing sheet(s) for the respective race(s).

A boat awarded a scoring code of DNR is considered an entrant for that race.

17.4 Rostered Duty

17.4.1 It is expected and required that every race entrant (helm + crew as appropriate) is rostered for Club “Duty”. There are no exceptions and all registered boat crews must undertake duty as rostered on up to 2 race days per season. Rostered Duty on days where racing has been abandoned may be rescheduled, at the discretion of the Race Committee.

17.4.2 Race entrants are encouraged to volunteer for duty on a particular race day or nominate for “any race day” during a particular series. However, whilst making every endeavour to accommodate such requests, the Race Committee shall determine the Duty Roster at its absolute discretion.

17.4.3 **DUT** shall be awarded to a registered boat for all races completed during a scheduled race session when the crew (helm and crew as appropriate) is rostered for Duty (or volunteers for Duty at the request of the Race Committee) and undertakes such Duty to the satisfaction of the Race Committee, determined by and at the Race Committee’s absolute discretion and without further hearing.

17.4.4 **DUT** shall be awarded for a maximum of 4 races, with only 2 races in any one Series. An entrant shall not be rostered for Duty on more than two race sessions, or more than one race session in any one series, without their consent. The 3rd (voluntary) rostered occurrence, or 2nd in any one Series, is scored as DNR, unless this results in a lower score than DUT, in which case DUT is scored. In exceptional circumstances, the Race Committee, at its absolute discretion and without further hearing, may also approve a score of DUT. Any additional race session race results for “voluntary” rostered duty days are scored DNC.

17.4.5 A boat crew may nominate substitutes for duty. However, substitutes must be adults, a financial member of Australian Sailing and assessed by the Race Committee, at its absolute discretion without further hearing, as competent, experienced and with the requisite knowledge to carry out all expected duties, especially in regard to safety issues, to the satisfaction and approval of the Race Committee. Approval must be recorded in writing by the Senior Race Official (refer SI 1.3) present on the respective race session sign-on sheet.

17.4.6 Entrants failing to undertake rostered duty may, at the absolute discretion of the Race Committee, incur a racing penalty (which may be against any or all Series) as determined by the Race Committee, without further hearing.

18 SAFETY REGULATIONS

18.1 Sign-On

For each race or session (where a session is multiple races back-to-back) a crew member from each boat intending to race, shall personally sign-on prior to the race by signing the race sign-on sheet in the clubhouse. There is no requirement to sign-off. However, boats failing to leave the beach after signing on, or retiring after starting, should inform the senior (refer SI 1.3) "on shore" Race Official as soon as possible.

Persons signing on must be at least 18 years of age or, if no crew member is at least 18 years of age, a parent or guardian must sign on.

18.2 Failure to Sign-On

Boats failing to comply with SI 18.1, or where sign-on information is illegible, are scored DNC without a hearing. This changes RRS 63.1.

18.3 Personal Flotation Devices (PFD):

Whilst racing, all competitors shall wear PFDs, which are in good condition and in accordance with the specifications issued or approved by a National Authority affiliated to World Sailing, or a standards organization or certification authority, recognized for the purpose by its respective government. Race Signal "Y" need not be flown and no sound signal made.

18.4 Righting Ropes

All competing boats are required to be fitted with righting ropes. It is recommended that boats have towing rings on bridles.

18.5 YA Special Regulations

All boats must conform to the requirements of AUSTRALIAN SAILING SPECIAL REGULATIONS - PART 2 FOR 'OFF THE BEACH' BOATS.

19 REPLACEMENT of HELM, CREW or EQUIPMENT

19.1 Replacement of Helm/Crew

The nominated helm of a registered boat cannot be substituted for the Club Championship/Olympic Series, John Goodier Memorial or Sprint Challenge Series. However, the nominated helm and crew (not a casual crew), as registered (provided both are financial KCC members), may interchange helm and crew roles at their discretion. At least one of the originally nominated helm or crew must sail in every entered race. However, a casual crew must not helm the boat, except in an emergency situation, and only for as long as necessary to address the emergency.

19.2 Substitution of Registered Boats

Substitution of a registered boat is permitted, subject to a note to this intent on the sign-on sheet. This provides for results of separate boats (under the one helm or helm/crew) to be combined. The Race Committee reserves the right to alter Australian Sailing yardsticks for the Club Championship series, elapsed times for the Olympic and John Goodier Memorial Series, based on the respective original and substitute class, Australian Sailing yardstick ratios.

20 EQUIPMENT, CLASS RULES and MEASUREMENT CHECKS

- 20.1 A boat or equipment may be inspected at any time for compliance with class rules and these sailing instructions, including safety requirements.
- 20.2 Where a protest is upheld on Class rules/measurement (AS Yardstick events only), the Protest Committee may not impose a penalty but must refer its findings to the Race Committee. The Race Committee, at its absolute discretion and without right to further appeal, may only apply a penalty by adjusting the boat's class yardstick, where the Race Committee determines that noncompliance with Class rules/measurement has resulted in the boat obtaining a performance advantage.
- 20.3 However, class rules that stipulate sails and/or fittings/components must be purchased through a class dealership(s) and/or manufactured or altered only by a designated class dealer/sail maker, shall not apply to any KCC Race Series or Regattas, other than Australian Sailing sanctioned or approved events for the respective Class(s). Provided that sails and/or fittings/components must comply in all other respects (sail material type/weight excluded) with class measurement rules and verified as such in writing by the sailmaker, in respect to sails. This may be by a certification letter signed by the sailmaker and initialled and dated at the "tack" of the sail or by placement of an initialled and dated certification "tack" mark.

21 OFFICIAL BOATS and RACE COMMITTEE VESSEL

Official boats will be marked with "Kurnell Catamaran Club", "KCC" and/or the club burgee.

22 SUPPORT PERSONNEL

Team Leaders, Coaches and other support personnel shall stay outside the area where boats are racing from the time of the preparatory signal for the first division until all boats have finished or Race Officials signal postponement, general recall or abandonment.

23 RADIO COMMUNICATION

A boat shall neither make radio transmissions whilst racing nor receive radio communications that are not available to all boats. This restriction also applies to mobile telephones and smart watches or similar electronic text or voice communications devices.

24 PRIZES

24.1 Prizes/trophies awarded at the discretion of the Race Committee.

24.2 Perpetual Trophies remain on display at the KCC Clubhouse.

25 DISCLAIMER of LIABILITY

Competitors, officials and other KCC members participating in events covered by these Sailing Instructions, or as a consequence of these Sailing Instructions, do so entirely at their own risk. Refer to RRS Fundamental Rule 4 - Decision to Race. KCC does not accept any liability for material damage, personal injury or death sustained in conjunction with or prior to, during, or after the event(s).

26 INSURANCE

Each participating boat shall be insured. The minimum requirement is third-party personal insurance and third-party property insurance that is valid for racing. Liability cover must be at least \$5,000,000 AUD (Five million Australian Dollars). Entering the boat on the sign-on sheet indicates that the Skipper has acknowledged that the boat is insured as per this requirement.

27 ATTACHMENT A (Series Rules)

27.1 Eligibility

- All Series and Championships are open to financial members of KCC.
- Only registered boats are eligible for end of series/season prizes and perpetual trophies (Open Regattas excepted).
- Boats may only be registered where the nominated helm and “regular” crew are financial members of KCC. A “regular” crew is defined as anyone crewing on a registered boat for more than 3 race sessions. Points are not scored for any registered boat where the crew, as a non and/or non-financial member, has sailed a total of more than 3 race sessions on any registered or visiting boat.
- Unregistered boats cannot score points for any series.
- Only the most recent 3 race session results, defined as any race session where an unregistered boat, sailing as a non-financial member or visitor and having paid the prescribed race entry fee, is ranked as a Starter in any race of any series, may be counted in the results of any Series and/or Club Championship, should that boat be subsequently registered. There is no refund or partial refund of race entry fees.
- Visiting boats are most welcome but are not scored in the aggregate results and are not eligible for end of series/season prizes or perpetual trophies. Visiting boats must pay the prescribed visitor race entry fee. Visitor race entry fees are determined annually by the KCC committee and may be variable.
- Notwithstanding the above, KCC reserves the right to unilaterally refuse any entry.

27.2 Club Championship Scoring

- The Club Championship is scored as a combined fleet of all divisions.
- The Club Championship is scored over all sailed races in the combined Club/Class Championship and Olympic Series, less allowable discards (drops).
- Individual race results are determined using the current Australian Sailing Class Yardsticks.

27.3 Olympic Series and John Goodier Memorial Challenge Scoring

- The Olympic Series and John Goodier Memorial Challenge is scored as a combined fleet of all divisions.
- For both the John Goodier Memorial Challenge and Olympic Series, individual races are scored based on back-calculated yardsticks. Individual entrant’s yardsticks (handicaps) for heat 1 are determined based on results from the previous season, or as determined by the Race Committee, at its absolute discretion.
- Subsequent back-calculated yardsticks (handicaps) for races 2, 3, 4 etc. are determined based on the “median” boat in the respective race, or as determined by the Race Committee to maintain the integrity of the handicap system. The yardstick (handicap) of all finishers is adjusted so that all boats record the same corrected time as the “median” boat which becomes the “Standard” boat for that race on which back-

calculated yardsticks are derived. The adjusted yardstick (back-calculated yardstick) is then averaged with a prescribed number (as determined by the Race Committee) of the past immediate races' back calculated yardsticks to form the adopted yardstick (handicap) for the next race in the series, for each competitor individually. Back-calculated yardsticks (handicaps) are scored independently for each series.

- Notwithstanding the above, the Race Committee reserves absolute discretion, without right of appeal, to vary back calculated handicaps in exceptional circumstances, so as to uphold the fairness of handicaps for all competitors.

27.4 Other Series or Special Events Scoring

These are advised in the NOR and/or at the Event Briefing.

27.5 Allowances or Redress for attending competing events

Eligible entrants in any series are not eligible to claim redress for attending other events such as Regattas, State, National or International Championships. Each series has an adequate number of "Drops" to provide fair and equitable competition, whilst recognizing that entrants may not compete over all scheduled races for a variety of reasons.

27.6 Minimum Number of Races

To constitute a series, the following number of races shall be the minimum that are sailed to completion (i.e. not abandoned). If a series does not achieve the minimum required, the Race Committee may, at its absolute discretion, accept a lesser number, re-sail 1 or more abandoned heats or abandon the individual series.

Series	Minimum number of races that must be sailed
Club/Class Championship	8
Olympic Series	8
John Goodier Challenge	6
Regattas	As per the Regatta NOR/Sailing Instructions.
All other Events	All must be completed.

27.7 Discarded Races (Drops)

Club Championship, Olympic and John Goodier Series

The following table defines the number of discarded races (drops) permitted. The maximum number of drops is calculated as one drop after 6 completed races then 1 extra drop every additional completed 4 races.

Completed Races	Drops Permitted	Completed Races	Drops Permitted
24	5	12	2
23	5	11	2
22	5	10	2
21	4	9	1
20	4	8	1
19	4	7	1
18	4	6	1
17	3	5	0
16	3	4	0
15	3	3	0
14	3	2	0
13	2	1	0

27.8 Results Posting

All results are published as soon as practicable on the KCC Website. Published results are “Provisional” and subject to change/corrections until the words "Results are Final" appears in the heading.

27.9 Wind Limit

All racing must cease (if on the water) or the start delayed (if ashore) when the average “official” (refer below) wind strength is determined as exceeding 22 knots.

The responsible Race Official (refer 27.10) must also consider the strength and/or frequency of wind gusts above this figure and the prevailing direction of the wind in reaching a decision to cease racing, abandon a race or delay a race.

Bureau of Meteorology “official” wind strengths are measured 9 metres above sea level and “on the water” recordings by hand held gauges (approx 2 metres above sea level) must be increased by approximately 16%, as calculated by the following formula. However, for ease of calculation purposes, “on the water” recordings can be increased by 1/6th to determine the “official” wind strength. Therefore, a reading of 18 knots at 2 metres above sea level corresponds to an “official” (9 metres above sea level) reading of 21 knots. Similarly, 20 knots would correspond to over 23 knots, above KCC’s operational wind limit for racing.

$$V_2 = V_1 * (H_2/H_1)^n$$

Where ‘n’ = 0.10 (smooth ocean/water)

http://www.aerostarwind.com/adjusting_wind_speeds.html

27.10 Lightning

All racing must cease (if on the water) or the start delayed (if ashore) when lightning is observed in the general vicinity of Botany Bay and surrounds.

Storm cells must be clearly observed as moving well away from the Botany Bay area before racing may commence or resume.

27.11 Responsible Race Official (Weather and Safety)

Prior to the conclusion of the Race Briefing, or 20 minutes before the scheduled Division 1 start time, whichever is the later, the responsible Race Official is the Race Secretary or in his/her absence the Assistant Race Secretary. If neither is present, by unanimous decision of the Race Committee Vessel Boat Captain and Officer of the Day, in consultation with the most senior member of the KCC Executive present, should neither be a member of the Executive. Should they be unable to reach a unanimous decision, racing may not proceed or must cease immediately if on the water. ***Racing is not permitted (independent of any weather considerations) unless at least one member of the KCC Executive is present, who may elect to race.***

At all other times, the responsible Race Official is the Boat Captain of the Race Committee Vessel, unless the Race Secretary or Assistant Race Secretary is monitoring racing ashore.

Notwithstanding the above, all entrants are reminded of SI 25 and RRS 3 (Decision to Race). However, regarding the decision to abandon a race or not, the responsible Race Official(s) must consider the safety of all entrants as an absolute priority.

27.12 Severe Weather Advice

An sms message may be sent to registered members during the afternoon or evening prior to a scheduled Race Session, should the Bureau of Meteorology (BOM) issue a "Strong, Gale or Storm Wind Warning" for Sydney Enclosed Waters, covering the time period of the scheduled Race Session. The sending of a sms message, drawing attention to the BOM issued Wind Warning, confirms that the scheduled Race Session is CANCELLED. Affected Race Sessions or individual races may be rescheduled as per SI 2/3.

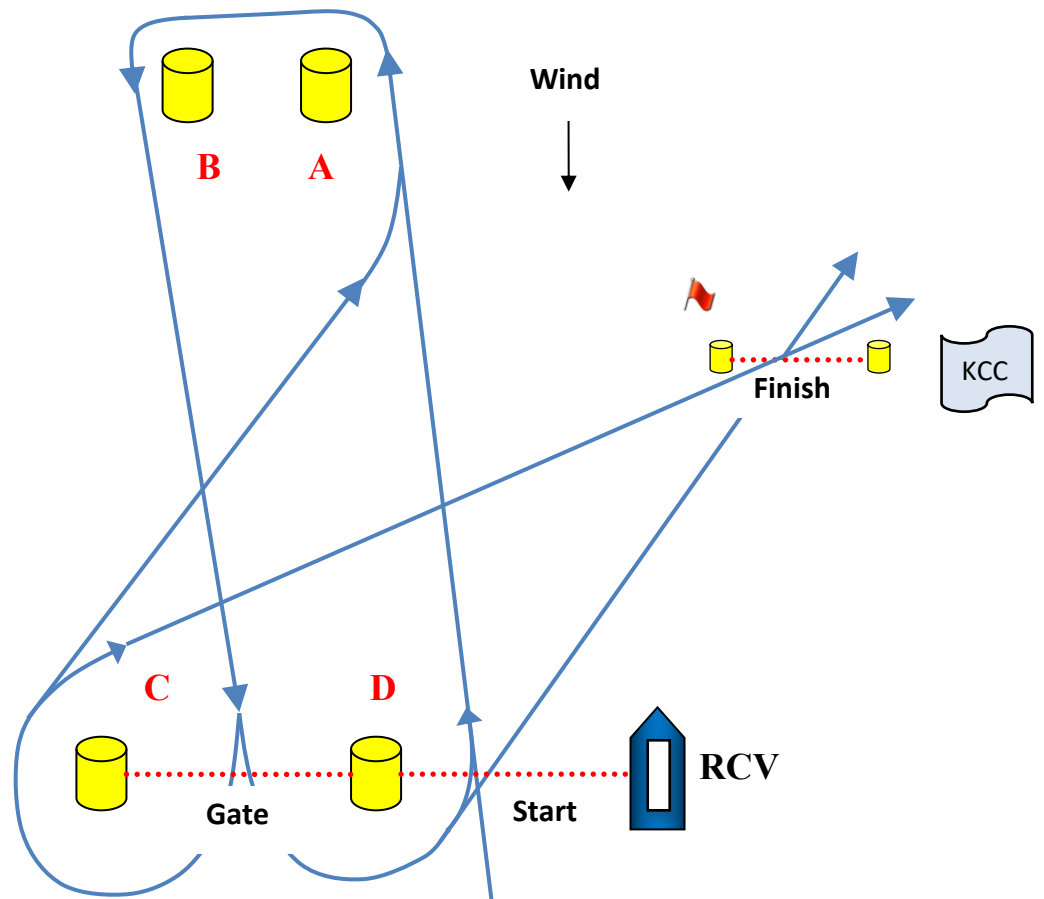
Refer to the "***KCC Operational Plan***" for all other operational procedures, a copy of which is on the Club's Official Notice Board and KCC website.

28 ATTACHMENT B (Courses – Diagrams not to scale)

28.1 Course A

- 2 races scheduled
- Course length aimed at 30 – 40 minutes ET for the fastest Class (approximately 0.6 to 0.8 nautical miles from D to A; \pm depending on wind strength)
- Mark B is set approximately square to the wind direction at a distance of approximately 30 metres from Buoy A
- Distance from C to D – approximately 8-10 boat lengths (50 - 60 metres)
- Marks A & B to Port (Red flag displayed on Committee Vessel)
- The Gate is traversed from the direction of the last Mark and must leave Mark D to Port or Mark C to Starboard
- Clubhouse Finish

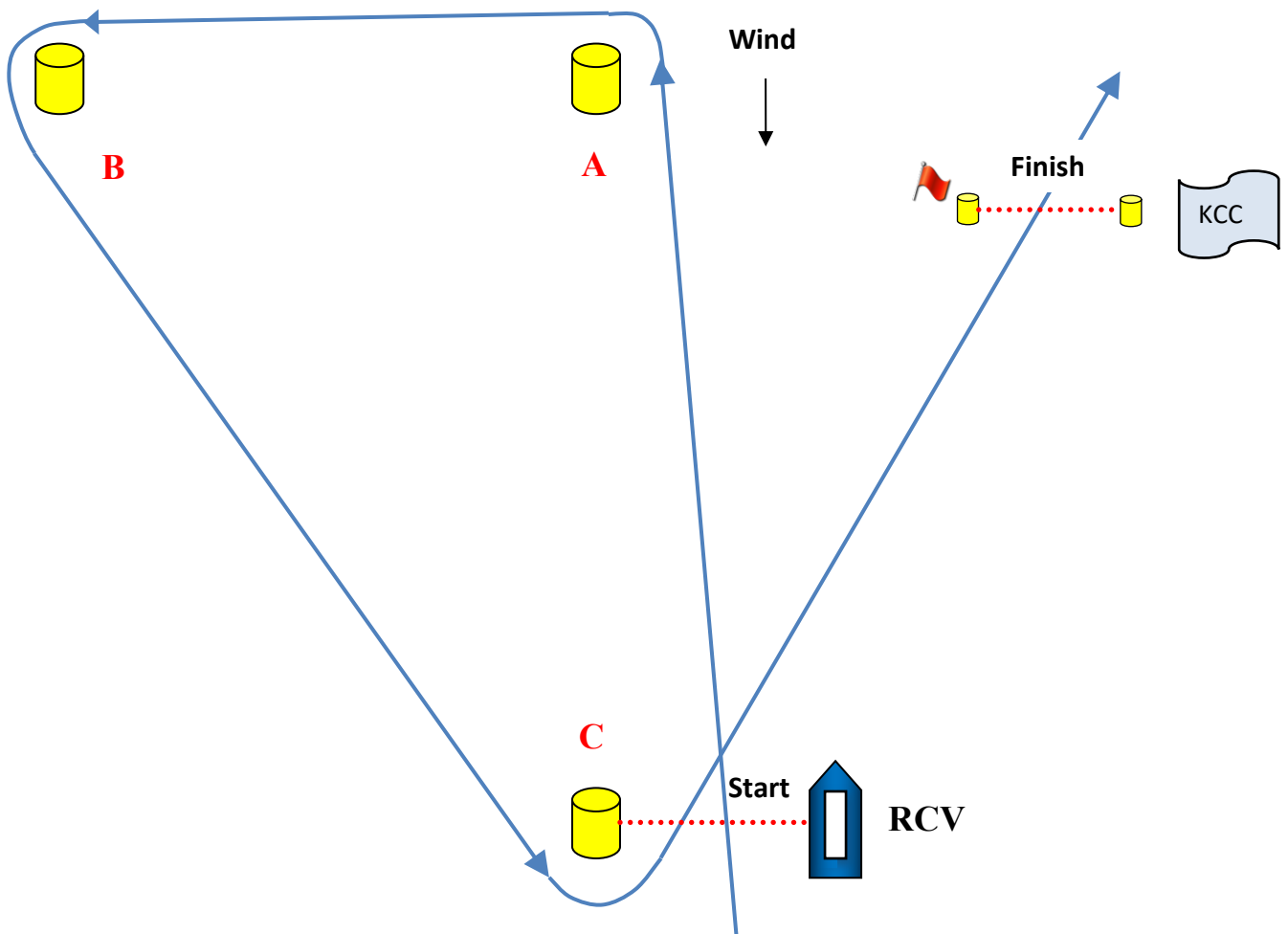
Course: - Start, A, B, Gate..... A, B, Gate..... Finish



28.2 Course B

- 2 races scheduled
- Course length aimed at 30 - 40 minutes ET for the fastest Class (approximately 0.6 to 0.8 nautical miles from C to A and A to B; ± depending on wind strength)
- Angle ABC is approximately 90 degrees
- Marks to Port (Red flag displayed on Committee Vessel)
- Clubhouse Finish

Course: - Start, A, B, C x 2 Finish

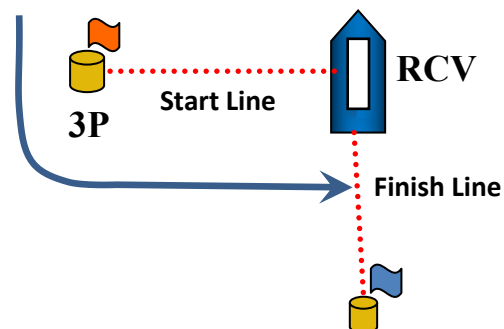
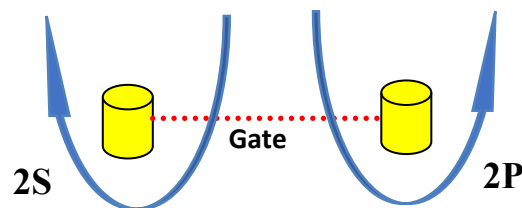
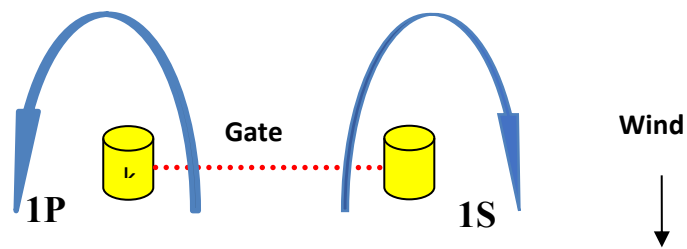


28.3 Course C

- Up to 4 races scheduled
- Course length aimed at 25-35 minutes ET for the fastest Class (approximately 0.5 to 0.7 nautical miles between gates; ± depending on wind strength)
- Distance from Marks 1P/1S to 2P/2S (gates) respectfully – approximately 8-10 boat lengths (50 - 60 metres)
- Race Committee Vessel Start/Finish
- Gates traversed from direction of last Mark/Start Line and must leave Marks 1P/2P to Port or Marks 1S/2S to Starboard

Course: - Div. 1 Start, 1S/1P, 2S/2P, 1S/1P, 3P, Finish.

Div. 2/3 Start, 1S/1P, 2S/2P, 1S/1P, 2S/2P, 1S/1P, 3P, Finish.



28.4 **Australia Day / Marathon Course**

Advised at the Race Briefing on the day.

28.5 **Darren Lowder Memorial Trophy Course**

Advised at the Race Briefing on the day.

28.6 **Presidents Cup / Captain Cook Trophy Course**

Advised at the Race Briefing on the day.

28.7 **Other Regattas/Events/Courses**

As per the Regatta/Event NOR and Sailing Instructions, or as advised at the briefing.

End of Sailing Instructions